



Spare Parts Catalogue

Ordering notes	2
Ordering spare parts	2
Copyright notice	2
Availability of spare parts	2
Parts of the complete machine	3

Ordering notes

Ordering spare parts

Each spare part can be identified by matching the figure number with its corresponding ordering code and designation. Please take notice that certain parts are not suitable for all design versions. The parts list unambiguously denotes which parts belong to a certain design version. Unless otherwise stated in the parts list or requested by the customer, the given quantity for each spare part is 1. The number in the column "Quantity" indicates how many of the part is contained in the respective assembly – and not how many of the part are included in the scope of delivery.

When ordering, please indicate the complete *ordering code* with the *designation* as well as the *quantity*. Only then is it possible to deliver the desired spare parts rapidly and without error.

The figures shown may deviate from the actual part version. We reserve the right to make alterations without notice.

Please direct your orders to your local Avery Dennison sales partner

Copyright notice

All rights to this spare parts catalog are assigned to Avery Dennison. Transmission, reprinting or any other means of reproduction of these documents, whether whole or in part, are not allowed without prior written permission. Third parties, in particular competitors, are not to be allowed access to information derived from this catalog.

Printed in Germany

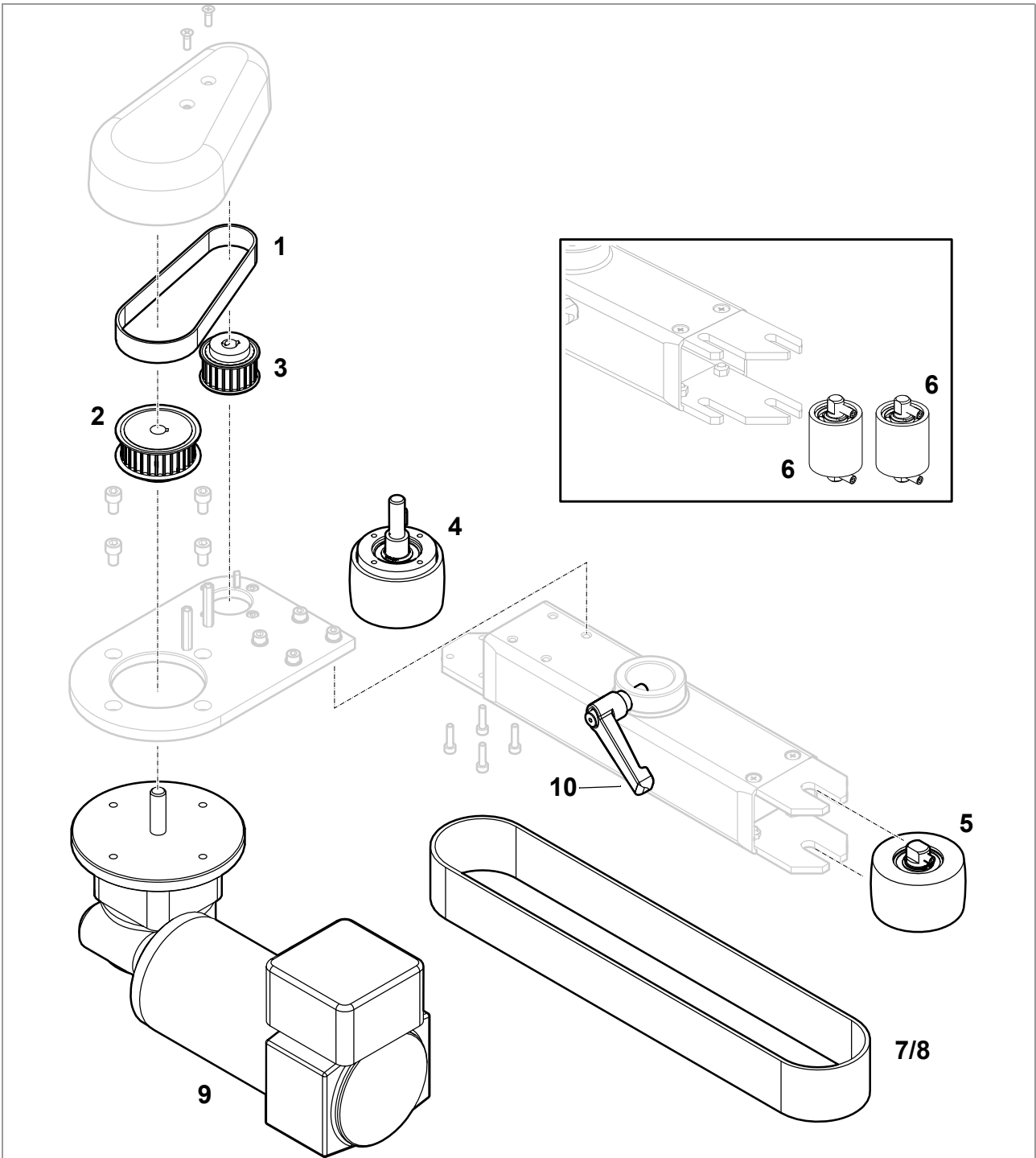
Availability of spare parts

Each spare part is assigned to one of four categories, depending on the forecasted demand of the part. Each category has a different shorthand, which is put down on top of the appropriate column of the spare parts chart. If the spare part matches one of the categories, it is marked with a „X“ in the appropriate column.

Cat.	Shorth.	Meaning	Delivery time
1	WP	Wear part	24 hours
2	RSP	Recommended spare part	24 hours
3	SP	Spare part	24 hours
4	--	Spare part on request	

[Tab. 1] Availability of spare parts.

Parts of the complete machine



Pos	Designation	Article no.	SP	RSP	WP	Note
1	T-belt	0002550-23	X			
2	T-belt pulley	A9568				
3	T-belt pulley	A9567				

WAC / WACTR / HDC Parts of the complete machine

Pos	Designation	Article no.	SP	RSP	WP	Note
4	Belt pulley assy.	0000587-01	X			45 mm
		0000587-02	X			95 mm
		0000587-03	X			150 mm
		0000587-04	X			200 mm
5	Belt counter pulley assy.	0000590-01	X			45 mm (for WAC)
		0000590-02	X			95 mm (for WAC)
		0000590-03	X			150 mm (for WAC)
		0000590-04	X			200 mm (for WAC)
6	Belt counter pulley assy.	0004728-01	X			45 mm (for WACTR)
		0004728-02	X			95 mm (for WACTR)
		0004728-03	X			150 mm (for WACTR)
		0004728-04	X			200 mm (for WACTR)
7	Belt (Porol-coatet, black)	0000069-01		X		45 x 300
		0000069-07		X		45 x 600
		0000069-10		X		95 x 300
		0000069-16		X		95 x 600
		0000069-71		X		150 x 300
		0000069-72		X		150 x 600
8	Belt (Vulkollan-coatet, white)	0001361-01				45 x 300
		0001361-02				45 x 600
		0001361-03				95 x 300
		0001361-04				95 x 600
		0001361-05				150 x 300
		0001361-06				150 x 600
9	Motor with gear	A7105	X			
10	Clamp lever	0000278-10				